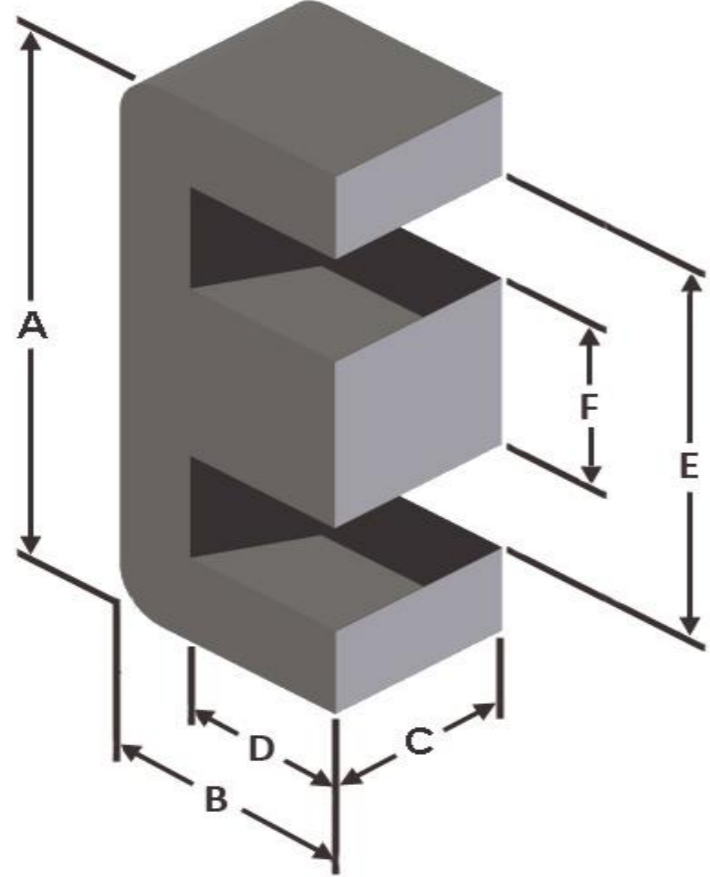


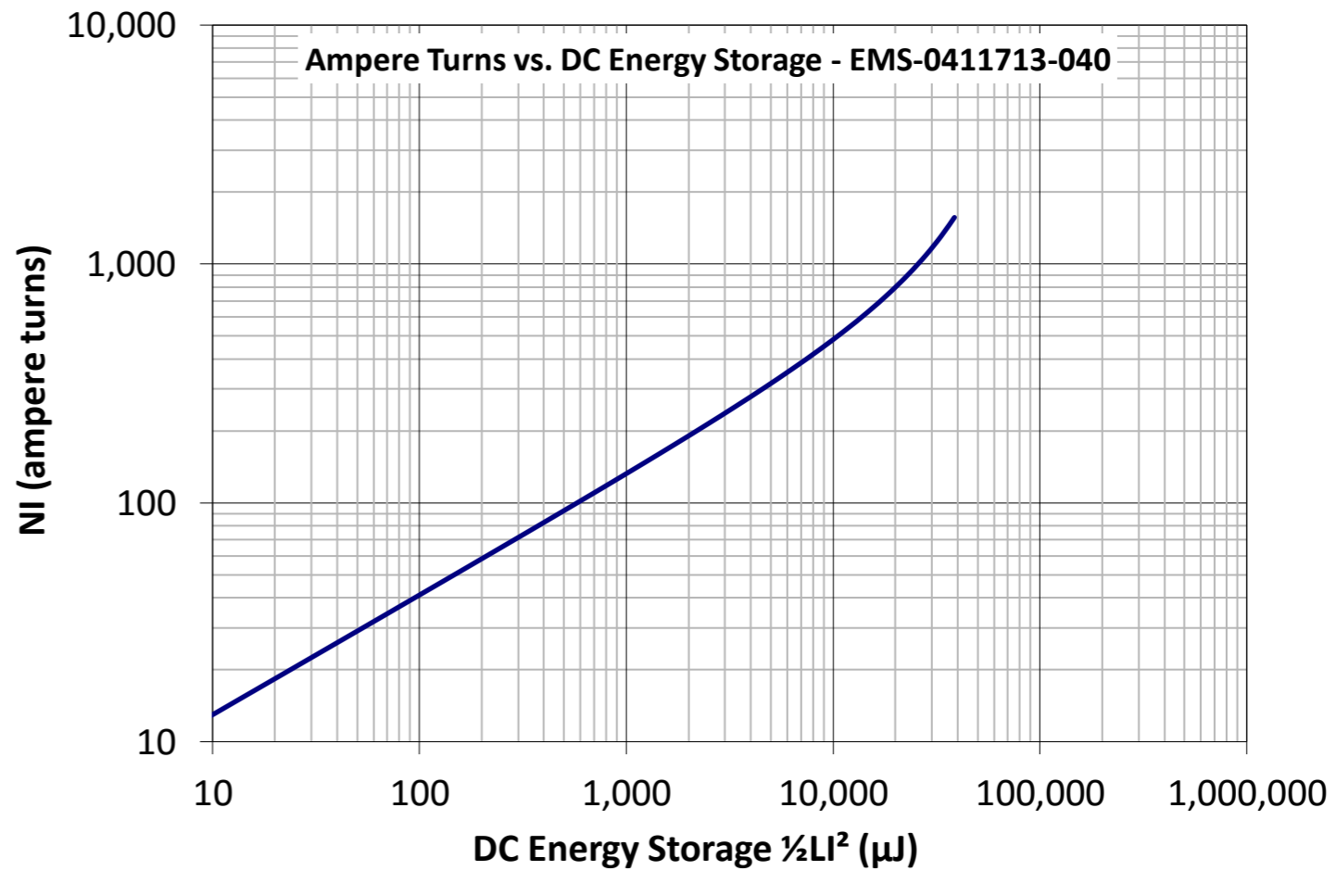
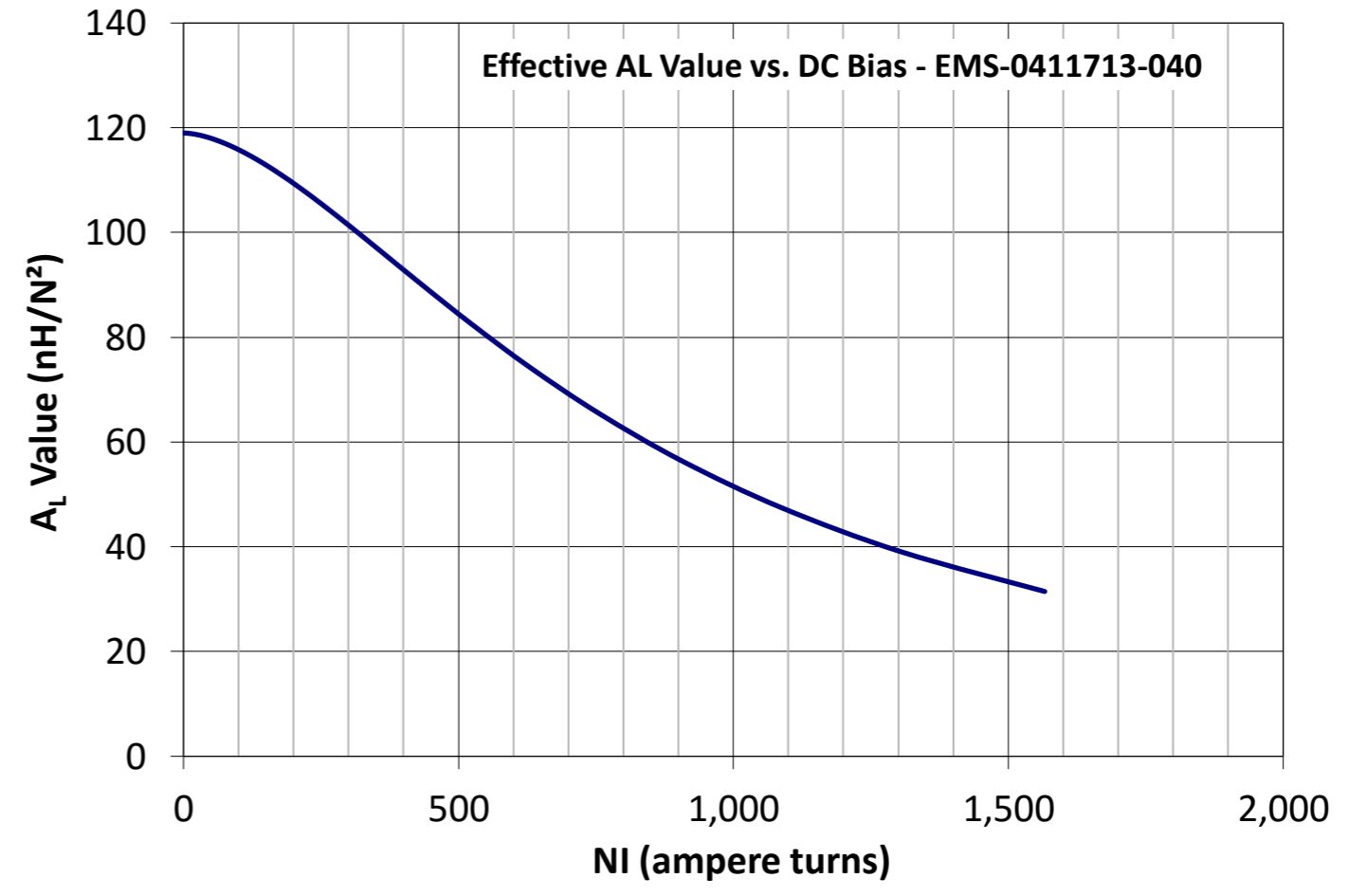
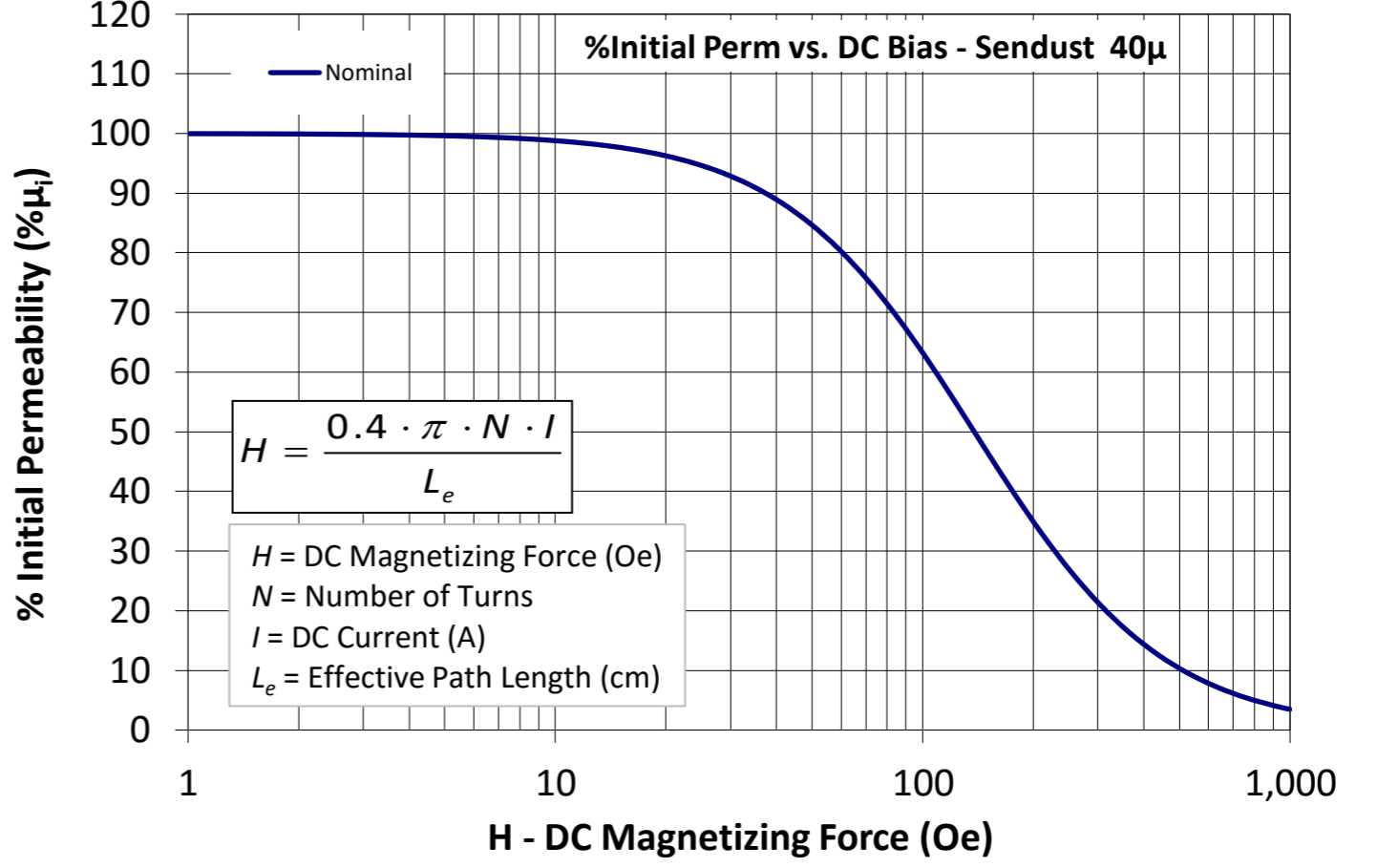
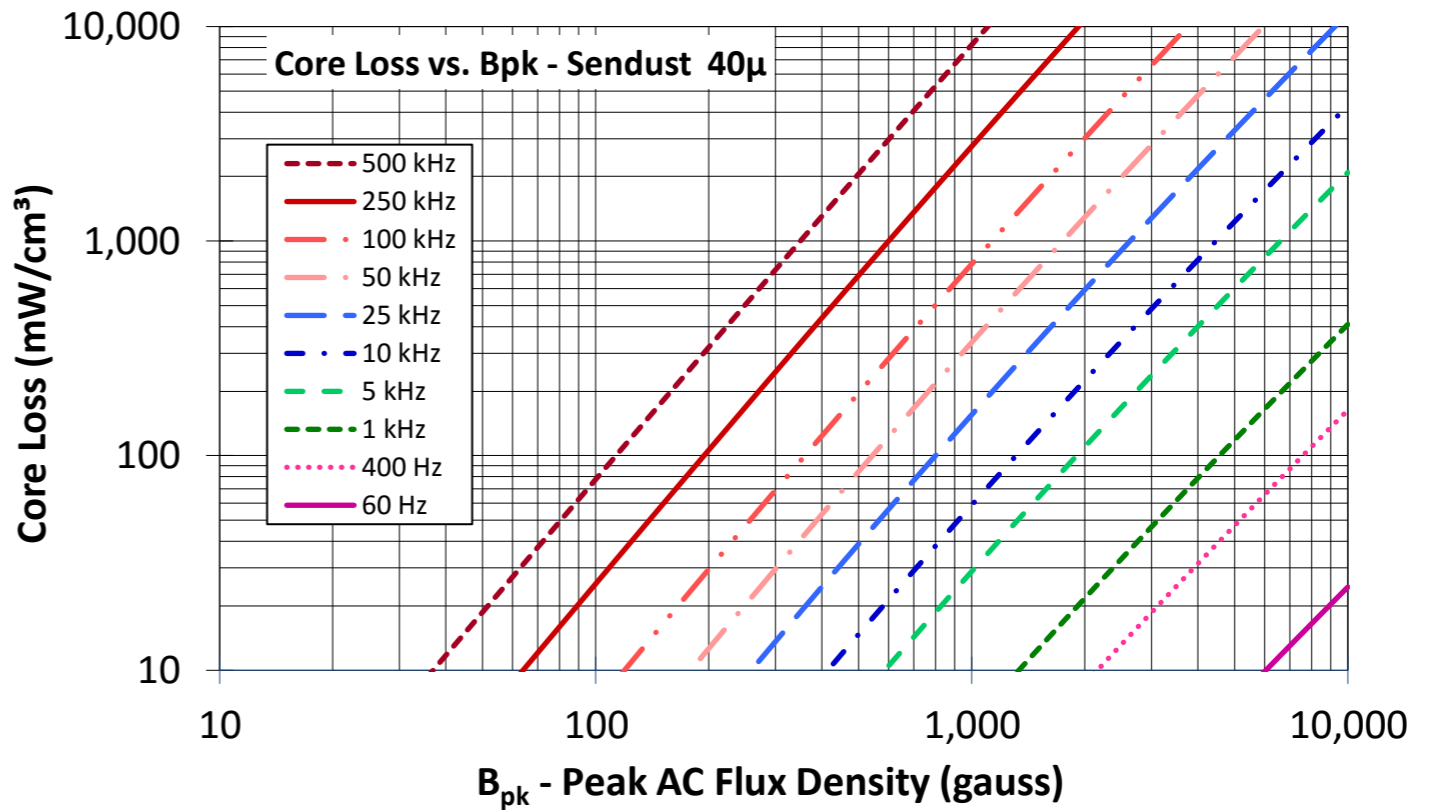


**Part Number:** EMS-0411713-040

Revision 20160816 - Generated 2016-Aug-16



<b>A</b>	40.9 ± 0.61 mm	1.610 ± 0.024 in
<b>B</b>	16.5 ± 0.28 mm	0.650 ± 0.011 in
<b>C</b>	12.5 ± 0.18 mm	0.492 ± 0.007 in
<b>D</b>	10.4 mm (min.)	0.409 in (min.)
<b>E</b>	28.3 mm (min.)	1.114 in (min.)
<b>F</b>	12.5 ± 0.20 mm	0.492 ± 0.008 in
<b>Mass</b>	(approximate)	32 grams/half
<b>Magnetic Dimensions</b>	A <sub>e</sub> - Eff. Mag. Cross Section	1.52 cm <sup>2</sup>
	L <sub>e</sub> - Eff. Mag. Path Length	7.75 cm
	V <sub>e</sub> - Eff. Core Volume	11.8 cm <sup>3</sup>
	WA - Min. Eff. Window Area	1.62 cm <sup>2</sup>
	sa - Surface Area	53.2 cm <sup>2</sup>
mlt - mean length per turn	8.16 cm	
<b>Inductance</b>	μ <sub>i</sub> (reference)	40
	A <sub>L</sub> value (nominal)	119 nH/N <sup>2</sup>
	Test Winding	N=100, #20 AWG
	Frequency	10 kHz
	Voltage on Agilent 4284A	0.67 V
A <sub>L</sub> tolerance	±8%	
<b>Core Loss</b>	$\text{Core Loss (mW/cm}^3\text{)} = \frac{f}{\frac{a}{B_{pk}^3} + \frac{b}{B_{pk}^{2.3}} + \frac{c}{B_{pk}^{1.65}}} + d \cdot B_{pk}^2 \cdot f^2$	
	where B <sub>pk</sub> expressed in gauss, f expressed in hertz, and: a=1.00E+06, b=6.80E+08, c=8.07E+06, d=2.16E-14	
	B <sub>pk</sub>	1000 G
	frequency	50 kHz
Core Loss (nominal)	338 mW/cm <sup>3</sup>	
Core Loss (maximum)	388 mW/cm <sup>3</sup>	
<b>DC Saturation</b>	$\% \mu_i = \frac{1}{a + b \cdot H^c} + d$	
	where H expressed in oersteds, and: a=0.01, b=2.54E-06, c=1.68, d=0.00	
	H <sub>DC</sub>	100 Oe
	Percent Initial Perm(nom.)	63.2%
Percent Initial Perm(min.)	55.9%	
<b>Coating/Pkg</b>	Coating Type:	None
	Voltage Breakdown (min.)	N/A
	Limit	N/A
	Package Quantity	175 Halves/Box



<b>Winding Table</b>	<b>Wire Size</b>	AWG	10	12	14	16	18	20	22	24	26	28	30
		mm	2.500	2.000	1.600	1.250	1.000	0.800	0.630	0.500	0.400	0.315	0.250
	<b>Full Winding</b>	Turns	14	21	32	50	78	120	186	288	446	690	1,068
		Rdc(Ω)	3.7 m	8.9 m	21.6 m	53.7 m	133.2 m	325.8 m	803.1 m	2.0	4.9	12.0	29.5

Micrometals Alloy Powder Cores, A Division of Micrometals, Inc. - 5615 E. La Palma Ave., Anaheim, California 92807 USA

Ph: +1-714-970-9400, Toll Free in USA: +1-800-356-5977, Asia Pacific Sales: +852 3106 3736

www.MicrometalsAPC.com