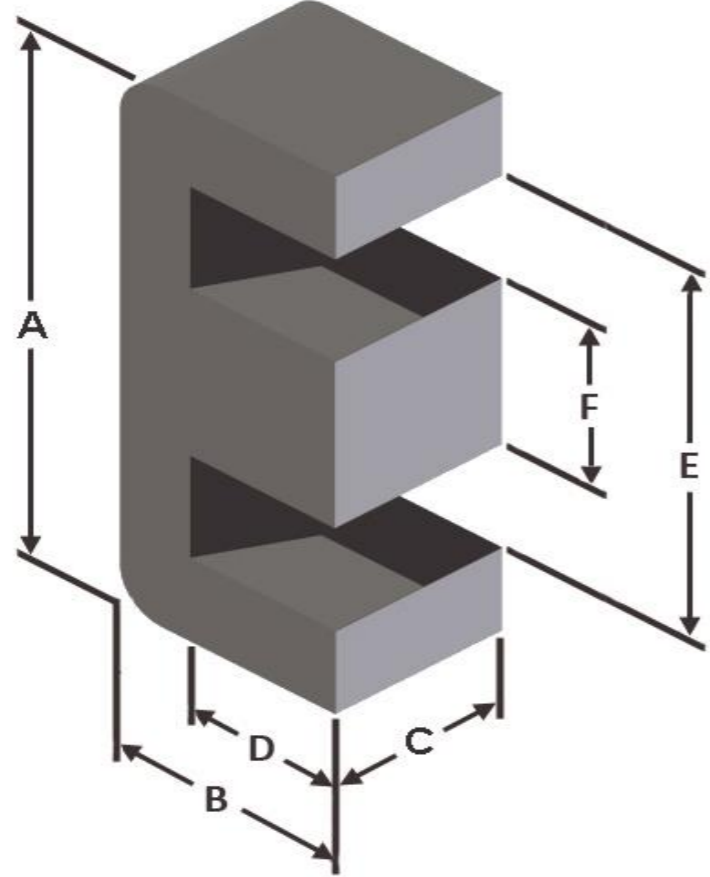




**Part Number:** EMS-0351409-090

Revision 20160816 - Generated 2016-Aug-16



<b>A</b>	34.5 ± 0.51 mm	1.358 ± 0.020 in
<b>B</b>	14.1 ± 0.23 mm	0.555 ± 0.009 in
<b>C</b>	9.4 ± 0.18 mm	0.370 ± 0.007 in
<b>D</b>	9.6 mm (min.)	0.378 in (min.)
<b>E</b>	25.3 mm (min.)	0.996 in (min.)
<b>F</b>	9.3 ± 0.20 mm	0.366 ± 0.008 in
<b>Mass</b>	(approximate)	17 grams/half
<b>Magnetic Dimensions</b>	A <sub>e</sub> - Eff. Mag. Cross Section	0.840 cm <sup>2</sup>
	L <sub>e</sub> - Eff. Mag. Path Length	6.94 cm
	V <sub>e</sub> - Eff. Core Volume	5.83 cm <sup>3</sup>
	WA - Min. Eff. Window Area	1.52 cm <sup>2</sup>
	sa - Surface Area	38.4 cm <sup>2</sup>
	mlt - mean length per turn	6.94 cm
<b>Inductance</b>	μ <sub>i</sub> (reference)	90
	A <sub>L</sub> value (nominal)	146 nH/N <sup>2</sup>
	Test Winding	N=100, #20 AWG
	Frequency	10 kHz
	Voltage on Agilent 4284A	0.37 V
	A <sub>L</sub> tolerance	±8%
<b>Core Loss</b>	$\text{Core Loss (mW/cm}^3\text{)} = \frac{f}{\frac{a}{Bpk^3} + \frac{b}{Bpk^{2.3}} + \frac{c}{Bpk^{1.65}}} + d \cdot Bpk^2 \cdot f^2$	
	where B <sub>pk</sub> expressed in gauss, f expressed in hertz, and: a=1.46E+09, b=8.28E+08, c=4.62E+06, d=1.09E-14	
	B <sub>pk</sub>	1000 G
	frequency	50 kHz
	Core Loss (nominal)	345 mW/cm <sup>3</sup>
Core Loss (maximum)	396 mW/cm <sup>3</sup>	
<b>DC Saturation</b>	$\% \mu_i = \frac{1}{a + b \cdot H^c} + d$	
	where H expressed in oersteds, and: a=0.01, b=1.26E-05, c=1.70, d=0.00	
	H <sub>DC</sub>	50 Oe
	Percent Initial Perm(nom.)	50.6%
Percent Initial Perm(min.)	42.9%	
<b>Coating/Pkg</b>	Coating Type:	None
	Voltage Breakdown (min.)	N/A
	Limit	N/A
	Package Quantity	315 Halves/Box

<b>Winding Table</b>	<b>Wire Size</b>	AWG	12	14	16	18	20	22	24	26	28	30	32
		mm	2.000	1.600	1.250	1.000	0.800	0.630	0.500	0.400	0.315	0.250	0.200
	<b>Full Winding</b>	Turns	20	30	47	73	112	174	269	417	645	998	1,545
	Rdc(Ω)		7.2 m	17.2 m	42.9 m	106.0 m	258.6 m	639.0 m	1.6	3.9	9.5	23.4	57.7

