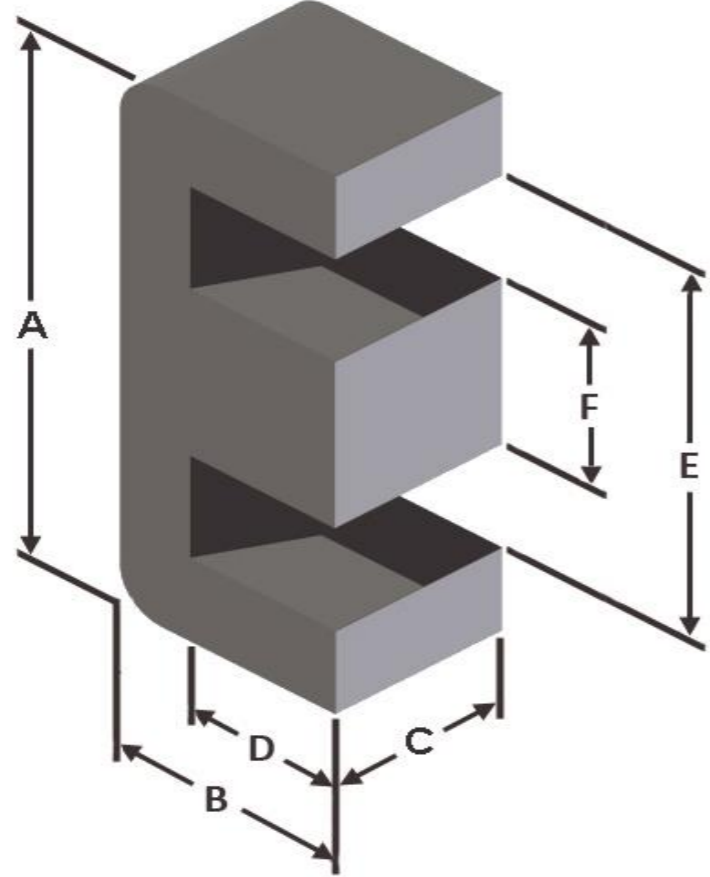




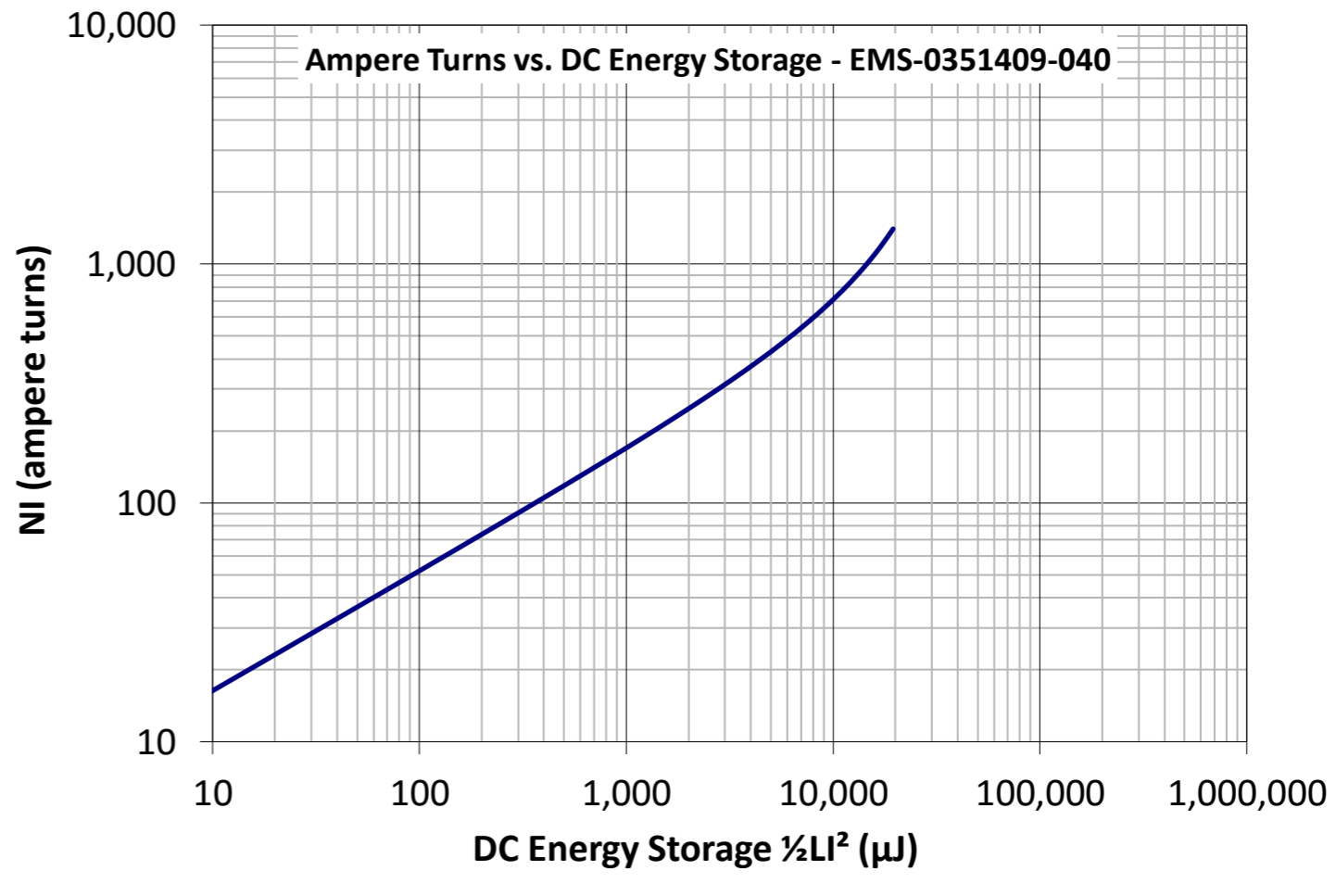
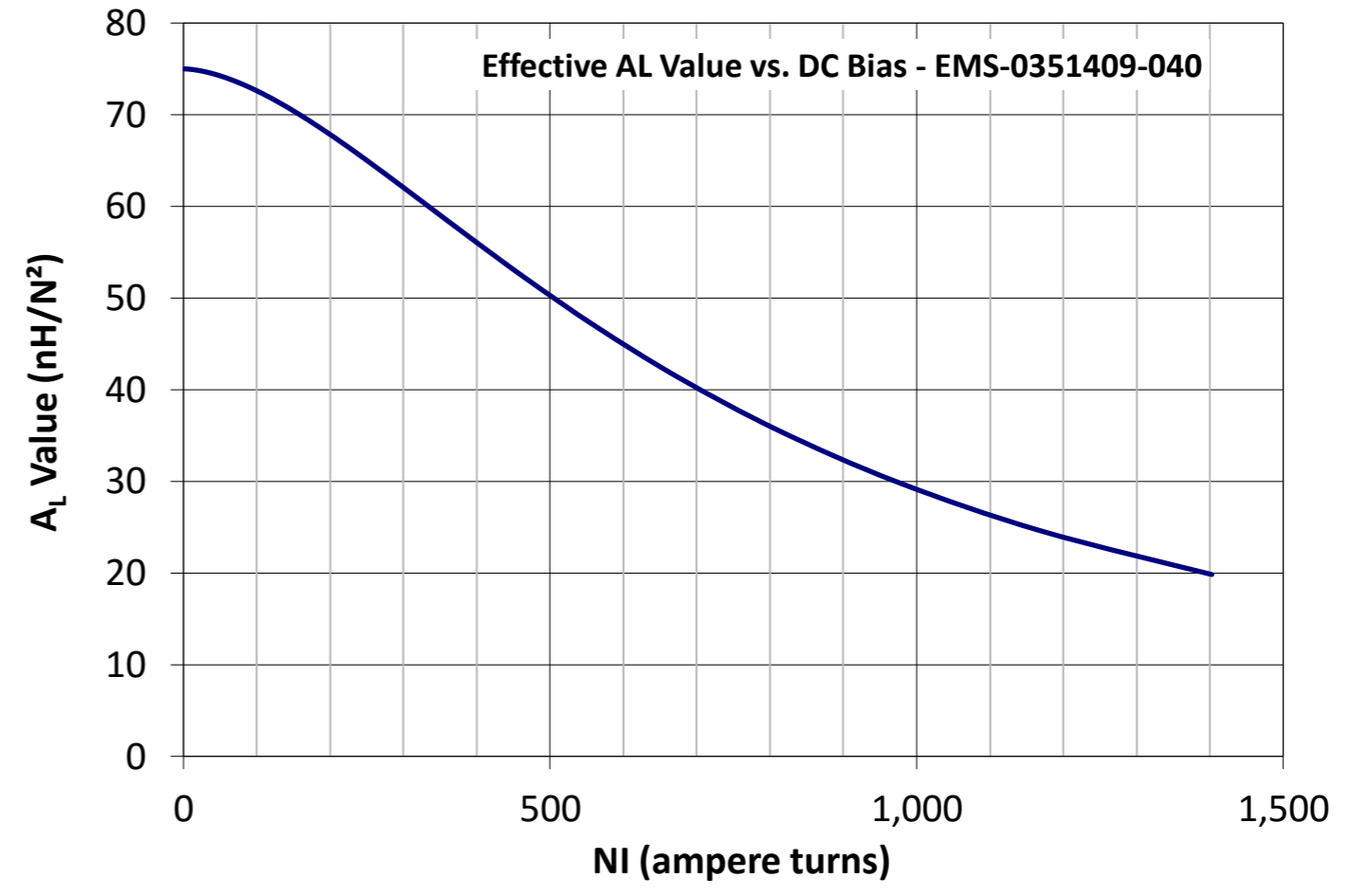
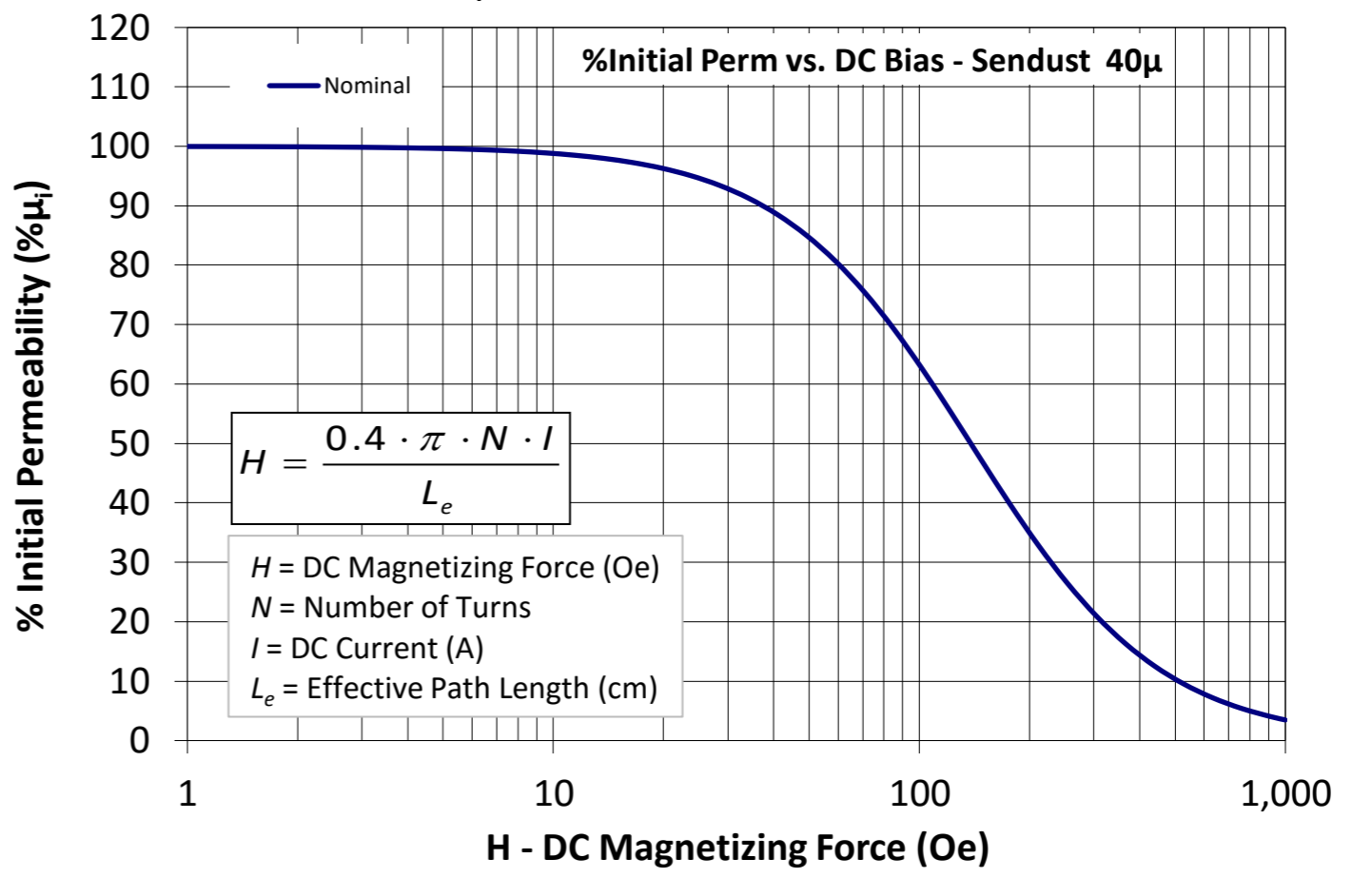
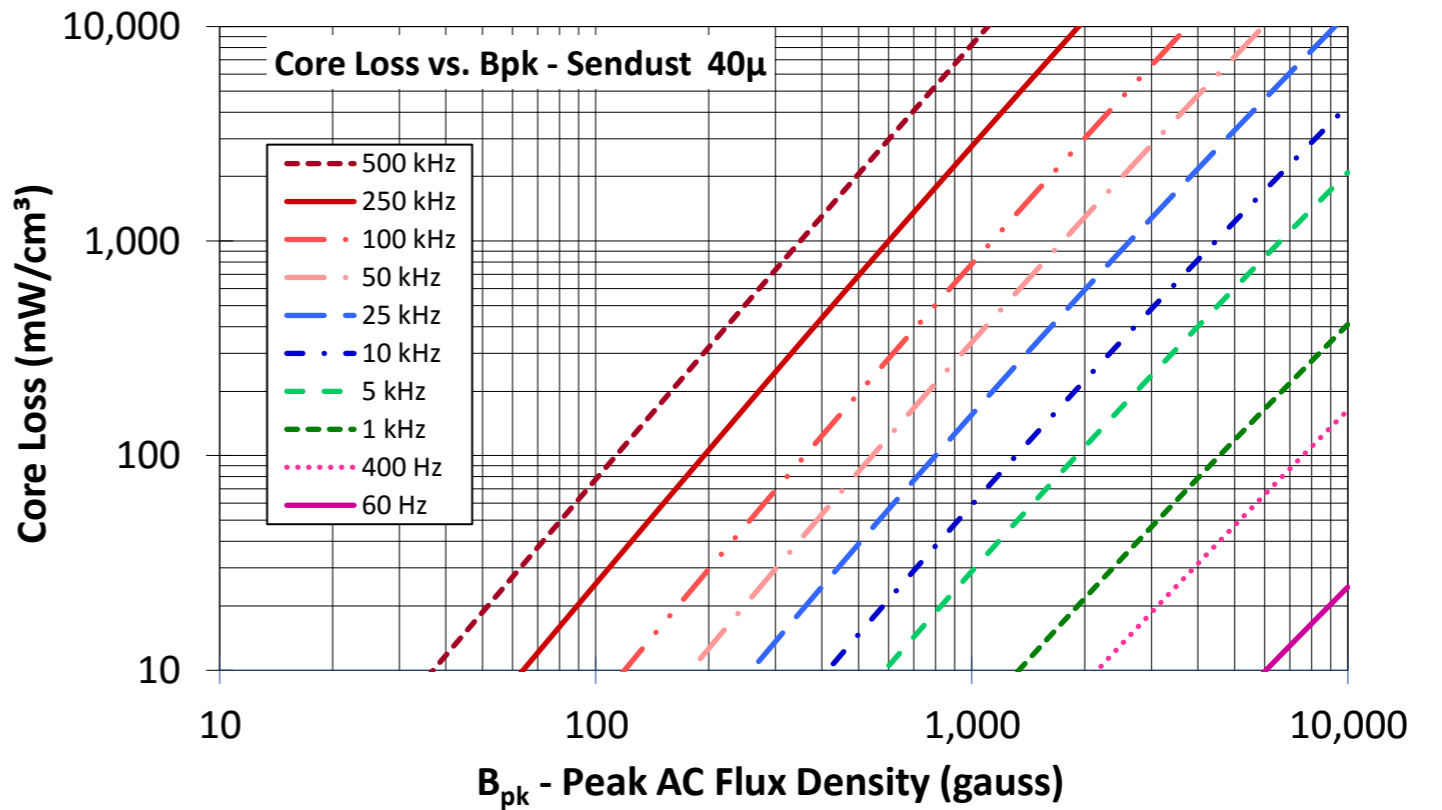
Part Number: EMS-0351409-040

Revision 20160816 - Generated 2016-Aug-16



A	34.5 ± 0.51 mm	1.358 ± 0.020 in
B	14.1 ± 0.23 mm	0.555 ± 0.009 in
C	9.4 ± 0.18 mm	0.370 ± 0.007 in
D	9.6 mm (min.)	0.378 in (min.)
E	25.3 mm (min.)	0.996 in (min.)
F	9.3 ± 0.20 mm	0.366 ± 0.008 in
Mass	(approximate)	16 grams/half
Magnetic Dimensions	A _e - Eff. Mag. Cross Section	0.840 cm ²
	L _e - Eff. Mag. Path Length	6.94 cm
	V _e - Eff. Core Volume	5.83 cm ³
	WA - Min. Eff. Window Area	1.52 cm ²
	sa - Surface Area	38.4 cm ²
	mlt - mean length per turn	6.94 cm
Inductance	μ _i (reference)	40
	A _L value (nominal)	75 nH/N ²
	Test Winding	N=100, #20 AWG
	Frequency	10 kHz
	Voltage on Agilent 4284A	0.37 V
A _L tolerance	±8%	
Core Loss	$\text{Core Loss (mW/cm}^3\text{)} = \frac{f}{\frac{a}{B_{pk}^3} + \frac{b}{B_{pk}^{2.3}} + \frac{c}{B_{pk}^{1.65}}} + d \cdot B_{pk}^2 \cdot f^2$	
	where B _{pk} expressed in gauss, f expressed in hertz, and: a=1.00E+06, b=6.80E+08, c=8.07E+06, d=2.16E-14	
	B _{pk}	1000 G
	frequency	50 kHz
	Core Loss (nominal)	338 mW/cm ³
Core Loss (maximum)	388 mW/cm ³	
DC Saturation	$\% \mu_i = \frac{1}{a + b \cdot H^c} + d$	
	where H expressed in oersteds, and: a=0.01, b=2.54E-06, c=1.68, d=0.00	
	H _{DC}	100 Oe
	Percent Initial Perm(nom.)	63.2%
Percent Initial Perm(min.)	55.9%	
Coating/Pkg	Coating Type:	None
	Voltage Breakdown (min.)	N/A
	Limit	N/A
	Package Quantity	315 Halves/Box

Winding Table	Wire Size	AWG	12	14	16	18	20	22	24	26	28	30	32
		mm	2.000	1.600	1.250	1.000	0.800	0.630	0.500	0.400	0.315	0.250	0.200
	Full Winding	Turns	20	30	47	73	112	174	269	417	645	998	1,545
	Rdc(Ω)		7.2 m	17.2 m	42.9 m	106.0 m	258.6 m	639.0 m	1.6	3.9	9.5	23.4	57.7



Micrometals Alloy Powder Cores, A Division of Micrometals, Inc. - 5615 E. La Palma Ave., Anaheim, California 92807 USA

Ph: +1-714-970-9400, Toll Free in USA: +1-800-356-5977, Asia Pacific Sales: +852 3106 3736

www.MicrometalsAPC.com