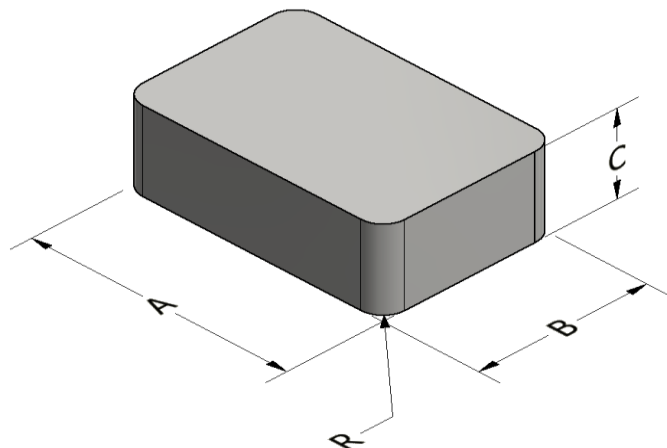




Part Number: **BMS-0474128-026**

Revision 20160414 - Generated 2016-Apr-28



A	47.50 ± 0.50 mm	1.870 ± 0.020 in
B	41.00 ± 0.50 mm	1.614 ± 0.020 in
C	27.50 ± 0.50 mm	1.083 ± 0.020 in
R	1.5 ± 0.50 mm	0.059 ± 0.020 in
	μ _i (reference)	26
Mass	(approximate)	270 grams
Core Loss	$\text{Core Loss (mW/cm}^3\text{)} = \frac{a}{B_{pk}^3} + \frac{b}{B_{pk}^{2.3}} + \frac{c}{B_{pk}^{1.65}} + d \cdot B_{pk}^2 \cdot f^2$	
	where B_{pk} expressed in gauss, f expressed in hertz, and: $a=1.00E+06$, $b=4.68E+08$, $c=7.22E+06$, $d=1.07E-14$	
	B_{pk}	500 G
	frequency	100 kHz
	Core Loss (nominal)	211 mW/cm ³
Core Loss (maximum)	242 mW/cm ³	
DC Saturation	$\% \mu_i = \frac{1}{a + b \cdot H^c} + d$	
	where H expressed in oersteds, and: $a=0.01$, $b=1.53E-06$, $c=1.65$, $d=0.00$	
	H_{DC}	200 Oe
Coating/Pkg	Coating Type:	None
	Voltage Breakdown (min.)	N/A
	Limit	N/A
	Package Quantity	60 Pieces/Box

